



SELECT™
SELECT IS™

ENCLOSED BELT CONVEYORS

EASILY
CUSTOMIZE

the Perfect Conveyor
for Your Project



Take control.



CUSTOM WITHOUT COMPROMISE.

Material handling can be complicated. So, we've made it easier than ever for you to get the right tool for the job, every time.

Your exact spec

Enjoy limitless custom configurations with the right sizes, layouts, capacities, options and accessories – it's your choice and it's almost all standard. We also offer options for the commercial-grade features you want, such as wear liners and bearings.

Quick detailed quote

Get comprehensive, real-time drawings and a complete spec document with every quote.

Seriously reliable performance

We've taken the best design elements and combined them into one platform. You get the superior craftsmanship, commercial-grade dependability and easy maintenance you've come to expect for decades of reliable and profitable service.

Designed for wider application

Gain greater flexibility with a wider selection of features and options.

A higher standard

Hot dip galvanized or stainless steel finish, fixed trippers, and movable plow discharge options are all options with Select IS.

SELECT[™]

All the essentials and you can add features and options and customize to get what you want.

SELECT IS[™]

More standard features built in and exclusive options you can't get with SELECT model.

Engineering approvals and certified drawings are standard with Select IS.

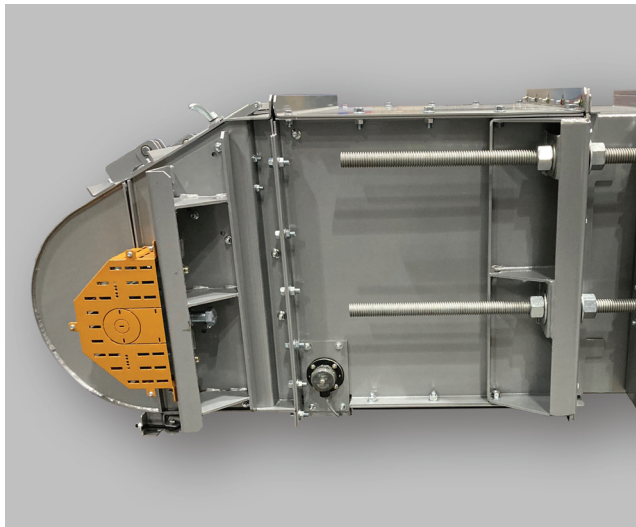
Select™ and Select IS™ Enclosed Belt Conveyors

Dodge® Imperial pillow block bearings standard on all sizes, supplied with full-coverage safety guarding. Shafting of 1045 turned ground and polished steel.

Head section features 7 gauge reinforced steel housing with 12 gauge removable lined hood.

Belt alignment sensor mounting points are standard on all heads and tails, and all heads feature lagging inspection doors for service without breaking the belt.

Holz Slide-Lag® static conductive lagging on head pulleys for superior belt grip, long-life, and easy service.



Tail section features spiral wing pulleys with plow and flipper reloading mechanism to automatically reclaim spilled material. Take-up lengths from 18" to 48" use Acme screws for easy tension adjustment, and a hinged swing-up shroud design allows for safe and easy clean-out.

Intermediate sections feature standard 1/4" thick, (1/2" optional), anti-static UHMW bottom liners for long life. Idler rollers spin on fully guarded pillow block bearings, and optional remote grease zerker fittings allow for easy service even when access is difficult.

Loaders and Inlets

Loaders and inlets are available with a variety of liner types from urethane to ceramic tile.

Adjustable skirts ensure material is loaded on the belt without spillage.

Companion flanges available for all loaders and inlets to simplify connections in the field.



SPECIFICATIONS

For full product specs, scan the QR Code below

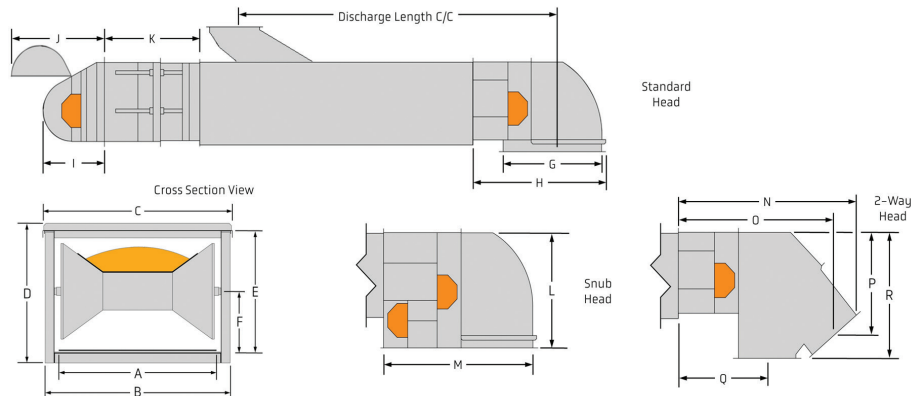
Conveyor Speed (ft/min.)¹

CAPACITY (BPH)	BELT WIDTH					
	24"	30"	36"	42"	48"	54"
8000	400					
10000	485					
12000	582					
13000	630	415				
14000		447				
15000		479				
20000		640	466			
25000			583	451		
30000			700	541	435	
35000				631	508	
40000				721	580	480
45000					653	540
50000					725	600
60000						720

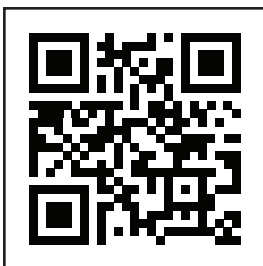
¹ Capacities calculated with material surcharge angle of 13°, lower surcharge angle materials will see reduced capacities.

	Belt Width	Box Width	Overall Width	Overall Height	Box Height	Idler Height	Discharge Length	Std. Head Length	Tail Length	Tail Shroud Clearance	24" Snub Head Height	24" Snub Head Discharge	2-Way Head Length	1st Discharge Length	1st Discharge Height	2nd Discharge Length	2nd Discharge Height
SIZE	A	B	C	D	E	F	G	H	I	J	L	M	N	O	P	Q	R
24"	24	31	32	29.625	26	13.5	36	49	23	39	39	52	65	55	34	32	42
30"	30	37	38	29.625	26	13.5	36	49	23	39	39	52	65	55	34	32	42
36"	36	43	44	29.625	26	13.5	36	49	23	39	39	52	65	55	34	32	42
42"	42	49	50	29.625	26	13.5	36	49	23	39	39	52	65	55	34	32	42
48"	48	55	56	29.625	26	13.5	36	49	23	39	39	52	65	55	34	32	42
54"	54	61	62	29.625	26	13.5	36	49	23	39	39	52	65	55	34	32	42

	Take-Up Length (K)	
	MIN	MAX
18"	36	54
24"	42	66
30"	48	78
36"	54	90
42"	60	102
48"	66	114
54"	72	126
60"	78	138



Visit grainsystems.com for full product specs & info.



Contact your GSI Dealer for more information.



Copyright © 2023. The GSI Group, all rights reserved. GSI Group, LLC, reserves the right to change designs and specifications without notice. GSI is a worldwide brand of AGCO. Copyright © 2023 AGCO Corporation.

GSI-017 / MAY 2023

